 GLENDALE	<b>SOLICITATION ADDENDUM</b>		<b>CITY OF GLENDALE</b> <b>Procurement Division</b> <b>5850 W. Glendale Avenue</b> <b>Suite 317</b> <b>Glendale, AZ 85301</b> <b>Phone: (623) 930-2866</b>
	Solicitation Number: <b>IFB 18-59</b> <b>Addendum No. 2</b>	Page 1 of 4	
Solicitation Due Date: July 6, 2018 2:00 P.M. (Local Time)			

## IFB 18-59

### STREET LIGHT POLES, ARMS AND ACCESSORIES ADDENDUM NO. 2

The following revisions have been made to Invitation for Bids No. 18-59:

**1. Bidder clarification questions and the City's responses:**

- 1.1 **Question:** There are 3<sup>rd</sup> party testing agencies who can certify mill rejected materials to show that the strength requirements of the listed ASTM's are met. Will the city be allowing these types of Material certificate, or do they want an actual Mill Test Report with an ASTM, or ASME designation, and all 9 points of a mill test report met? The nine points are: 1. Material Heat Number, 2. Material Grade, 3. Product Specifications Met, 4. Actual Material Dimensions, 5. Mechanical Properties, 6. Chemical Analysis, 7. Heat Treatment, 8. Certified mill signature, and 9. Traceability/Mill name.


**Response:** A Mill Test Report (MTR) is a quality assurance document in the steelmaking industry that certifies a material's compliance with appropriate ASTM standards, applicable dimensions, physical and chemical specifications. This document may be legally provided by 3rd party testing agencies who are required to follow standard procedures and guidelines to justify that the material is in full compliance with the ASTM requirements.

- 1.2 **Question:** Spec states that arms must be fabricated from 2" sch. 40 Pipe but details A3, A4, A6, Grand Ave, and Modified G are all using different pipe. Which is correct, details, or specification?

**Response:** All mast arms shall be fabricated as Schedule 40 steel standard pipes. See revised Specification Diagrams A3, A4, A6, Grand Ave Breakaway Base Mast Arm, and Modified G attached below.

- 1.3 **Question:** City is requiring a structural engineer to indicate compliance with AASHTO criteria and the specification. Does this mean stamped drawings and calculation package for each item, including Shakespeare, and Aluminum Poles? If so, will the city be providing a line item for Engineering Fees, or would they like the fee added to each line item, and pay for the engineering each time they purchase the item(s)? If not, please elaborate on the type of certification you are requiring.

**Response:** All drawings and calculations signed/sealed by the Arizona registrant are

	<b>SOLICITATION ADDENDUM</b>		<b>CITY OF GLENDALE</b> <b>Procurement Division</b> <b>5850 W. Glendale Avenue</b> <b>Suite 317</b> <b>Glendale, AZ 85301</b> <b>Phone: (623) 930-2866</b>
	Solicitation Number: <b>IFB 18-59</b>	<b>Addendum No. 2</b>	
Solicitation Due Date: July 6, 2018 2:00 P.M. (Local Time)			

required for each light pole type for approval. Once approved, these light pole types may be used throughout the City of Glendale as a standard.

- 1.4 **Question:** We are basing our pricing on the details provided, assuming they are currently in spec per AASHTO. Will the City be increasing the contract price, as necessary, if the engineering comes back showing the poles are insufficient per current code, requiring larger or thicker members?

**Response:** Response submittals shall be based on information provided in Invitation for Bids 18-59 and applicable Addendums. If material/design specifications are changed based on contemporary standards, the City will consider these standards and supplier impacts.

- 1.5 **Question:** Shop drawings are to be provided, is the City going to provide a line item for the fee associated with this, or are we to charge per line item requiring the City to pay for shop drawings each time they purchase the item?

**Response:** Within thirty days of contract acceptance, shop drawings shall be provided to the Engineering office in electronic format at no additional cost to the City.

- 1.6 **Question:** How would the City like us to show the fee associated with the “from time to time the contractor may be required to provide further updates of the specification sheets or create new sheets if new designs are used in the city” item? This can be a very costly item depending on what the item is, and how much detail is involved. Maybe a “per instance” price line should be provided for this?

**Response:** Invitation for Bids 18-59 Price Sheet has been amended to provide an hourly rate for future updates to shop drawings as requested by the City. (See Additional Pricing below).

- 1.7 **Question:** What does the City mean by “reasonable stock” 1, 2, 5, or 10 of each item? When the contract is over, will the city be purchasing the remainder, unused, “reasonable stock”?

**Response:** The Inventory General Requirement has been revised to delete the requirement that the contractor maintain a reasonable stock on hand for delivery. This paragraph is amended to require orders for steel-based material be completed within a six-week period.

2. **DELETE** GENERAL REQUIREMENTS, **Inventory** paragraph in its entirety and **REPLACE** with the following:

**“Inventory** The City has an ongoing requirement for the products indicated in this contract. The Contractor shall complete orders for steel-based material within a six-week period. Failure to meet this schedule may result in contract cancellation.”



SOLICITATION ADDENDUM

CITY OF GLENDALE
Procurement Division
5850 W. Glendale Avenue
Suite 317
Glendale, AZ 85301
Phone: (623) 930-2866

Solicitation Number: IFB 18-59 Addendum No. 2 Page 3 of 4
Solicitation Due Date: July 6, 2018 2:00 P.M. (Local Time)

- 3. DELETE the following from ATTACHMENT I, SPECIFICATION DIAGRAMS:
A3-USE IN APS AREA RESIDENTIAL MAST ARM USE w/ P3 POLE
A4 (GALVANIZED)-USE IN APS AREA COLLECTOR STREETS USE w/ P3 POLE
A4 (BRONZE) WESTGATE STREETS USE w/ P3 POLE (BRONZE)
A6 ARTERIAL STREETS USE w/ P1, P9 OR P10 POLE
GRAND AVE BREAK-AWAY BASE MAST ARM, and
MODIFIED G-USE NEAR GRAND AVE BRIDGE & OVERPASSES USE w/ MODIFIED G POLE

And REPLACE with the following. See attached revised specification diagrams below.

- REVISED A3-USE IN APS AREA RESIDENTIAL MAST ARM USE w/ P3 POLE
REVISED A4 (GALVANIZED)-USE IN APS AREA COLLECTOR STREETS USE w/ P3 POLE
REVISED A4 (BRONZE) WESTGATE STREETS USE w/ P3 POLE (BRONZE)
REVISED A6 ARTERIAL STREETS USE w/ P1, P9 OR P10 POLE
REVISED GRAND AVE BREAK-AWAY BASE MAST ARM, and
REVISED MODIFIED G-USE NEAR GRAND AVE BRIDGE & OVERPASSES USE w/ MODIFIED G POLE

- 4. DELETE EXHIBIT 1, SPECIAL TERMS AND CONDITIONS, Paragraph 7, DELIVERY TIME, and EXHIBIT 3, PRICE SHEET, Item No. 50, in their entirety and REPLACE with the following:

DELIVERY TIME All deliveries of steel products shall be made within six weeks upon receipt of written notification from the City. All deliveries of fiberglass products shall be made within 12 weeks of written notification from the City. All deliveries shall be made within City of Glendale office hours, Monday through Friday, excluding holidays.

- 5. ADD the following to EXHIBIT 3, PRICE SHEET:

ADDITIONAL PRICING. Bidders shall submit pricing for the following. Prices quoted shall be firm and fixed for the specified time period. Sales tax shall not be included in the Unit Price. This item will not be included in the bid evaluation process. The City may or may not choose to use this item when deemed in the best interest of the City. Upon acceptance by the City, this item may become part of the contract.

Table with 3 columns: Item No., Description, Unit Price. Row 1: 52, Cost of providing future updates to Specification Sheets if new pole and arm designs are used within the City of Glendale, \$\_\_\_\_\_/Hour



## SOLICITATION ADDENDUM

**CITY OF GLENDALE**  
**Procurement Division**  
**5850 W. Glendale Avenue**  
**Suite 317**  
**Glendale, AZ 85301**  
**Phone: (623) 930-2866**

Solicitation Number: **IFB 18-59**    **Addendum No. 2**    Page 4 of 4  
Solicitation Due Date: July 6, 2018 2:00 P.M. (Local Time)

All other solicitation provisions, terms and conditions and scope of work shall remain the same. Bidders must acknowledge receipt and acceptance by returning this addendum with their bid.

Name of Company: \_\_\_\_\_

Address: \_\_\_\_\_

Authorized Signature: \_\_\_\_\_

Print Name and Title: \_\_\_\_\_

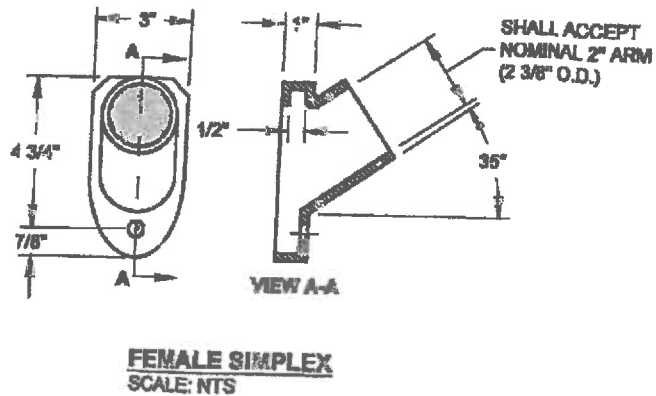
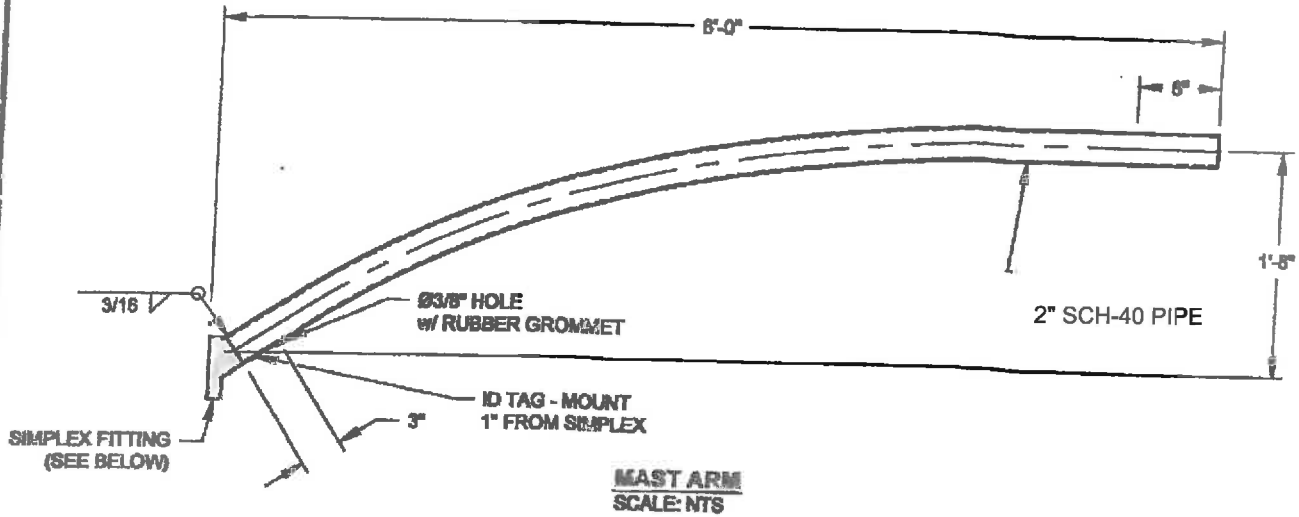
REVISED A3 - USE IN APS AREA

RESIDENTIAL MAST ARM

USE W/ P3 POLE

**NOTE(S):**

1. ALL WIRE ENTRANCE AND EXIT HOLES SHALL BE FREE OF ALL BURRS AND SHARP EDGES.
2. SOME HIDDEN LINES NOT SHOWN FOR CLARITY.
3. DRAWING NOT TO SCALE.
4. TAG SHALL BE PERMANENTLY ATTACHED AND INCLUDE: DATE MANUFACTURED, MANUFACTURER AND DRAWING NUMBER.
5. THE ARM SHAFT IS FABRICATED FROM A WELDABLE GRADE HOT-ROLLED CARBON STEEL PIPE AND HAS A MINIMUM YIELD STRENGTH OF 42,000 PSI.
6. SHALL BE SAND BLASTED TO NEAR WHITE FINISH AND HOT DIPPED GALVANIZED PER ASTM A123.



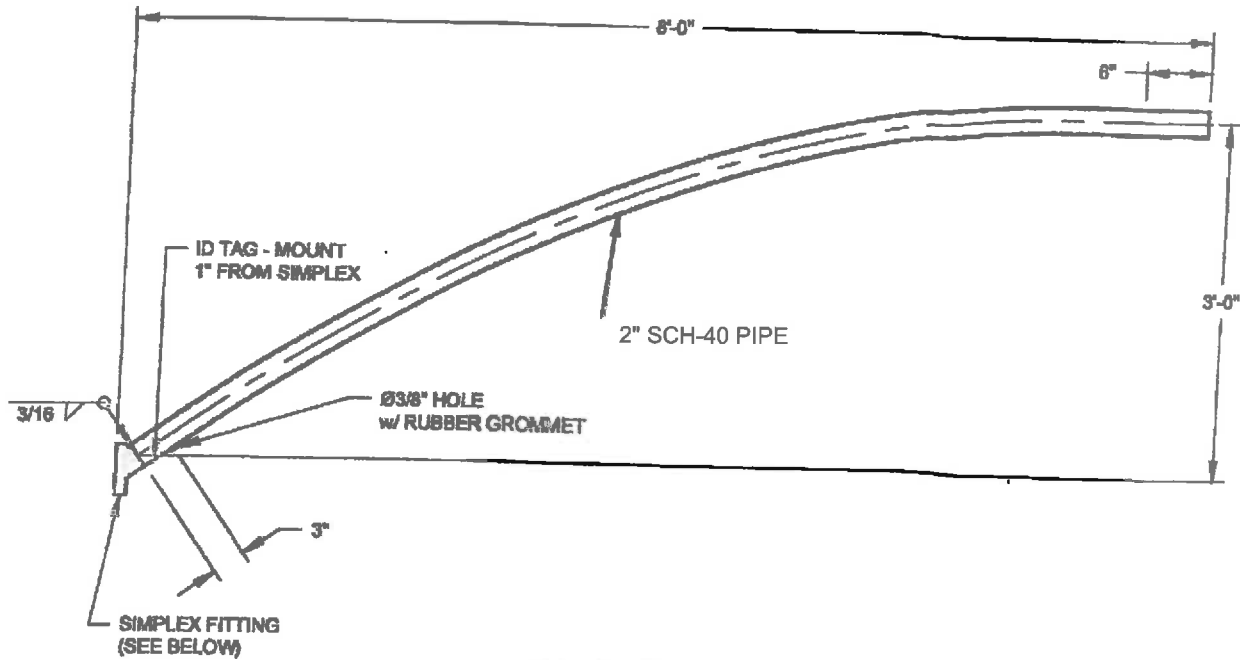
REV: -	DESC: -	DRAWN: -	APPR: -	DATE: -
--------	---------	----------	---------	---------

**A3 - USE IN APS AREA  
RESIDENTIAL MAST ARM  
USE w/ P3 POLE  
GLENDALE**

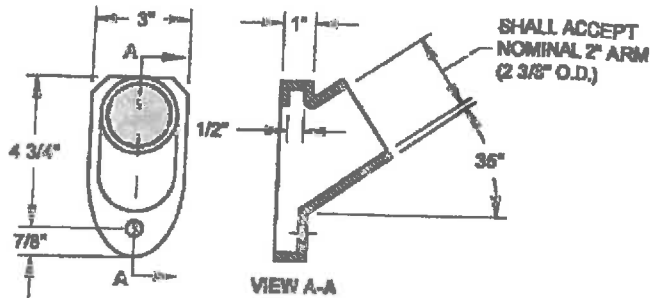
REVISED A4 (GALVANIZED) - USE IN APS AREA  
 COLLECTOR STREETS  
 USE W/ P3 POLE

**NOTE(S):**

1. ALL WIRE ENTRANCE AND EXIT HOLES SHALL BE FREE OF ALL BURRS AND SHARP EDGES.
2. SOME HIDDEN LINES NOT SHOWN FOR CLARITY.
3. DRAWING NOT TO SCALE.
4. TAG SHALL BE PERMANENTLY ATTACHED AND INCLUDE: DATE MANUFACTURED, MANUFACTURER AND DRAWING NUMBER.
5. THE ARM SHAFT IS FABRICATED FROM A WELDABLE GRADE HOT-ROLLED CARBON STEEL PIPE AND HAS A MINIMUM YIELD STRENGTH OF 42,000 PSI.
6. SHALL BE SAND BLASTED TO NEAR WHITE FINISH AND HOT DIPPED GALVANIZED PER ASTM A123.



**MAST ARM**  
 SCALE: NTS



**FEMALE SIMPLEX**  
 SCALE: NTS

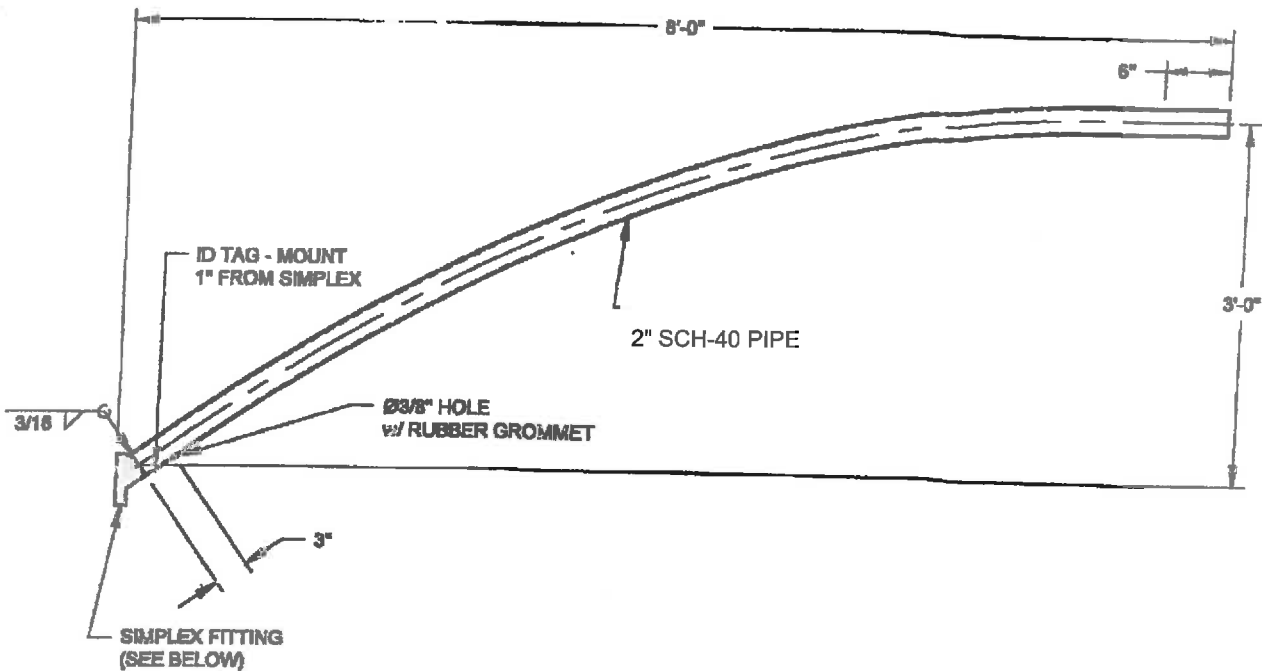
REV: -	DESC: -	DRAWN: -	APPR: -	DATE: -
--------	---------	----------	---------	---------

**A4 (GALVANIZED) - USE IN APS AREA**  
**COLLECTOR STREETS**  
**USE W/ P3 POLE**  
 GLENDALE

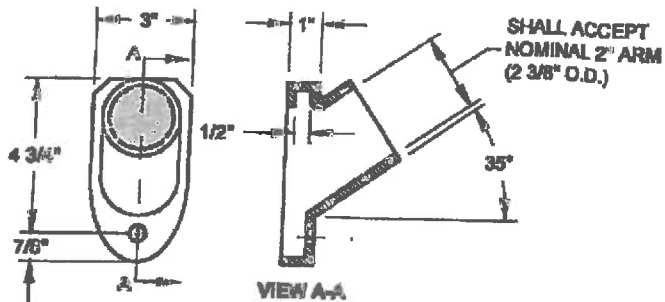
REVISED A4 (BRONZE)  
 WESTGATE STREETS  
 USE W/ P3 POLE (BRONZE)

**NOTE(S):**

1. ALL WIRE ENTRANCE AND EXIT HOLES SHALL BE FREE OF ALL BURRS AND SHARP EDGES.
2. SOME HIDDEN LINES NOT SHOWN FOR CLARITY.
3. DRAWING NOT TO SCALE.
4. TAG SHALL BE PERMANENTLY ATTACHED AND INCLUDE: DATE MANUFACTURED, MANUFACTURER AND DRAWING NUMBER.
5. THE ARM SHAFT IS FABRICATED FROM A WELDABLE GRADE HOT-ROLLED CARBON STEEL PIPE AND HAS A MINIMUM YIELD STRENGTH OF 42,000 PSI.
6. COLOR SHALL BE BR-23, DARK BRONZE.



**MAST ARM**  
 SCALE: NTS



**FEMALE SIMPLEX**  
 SCALE: NTS

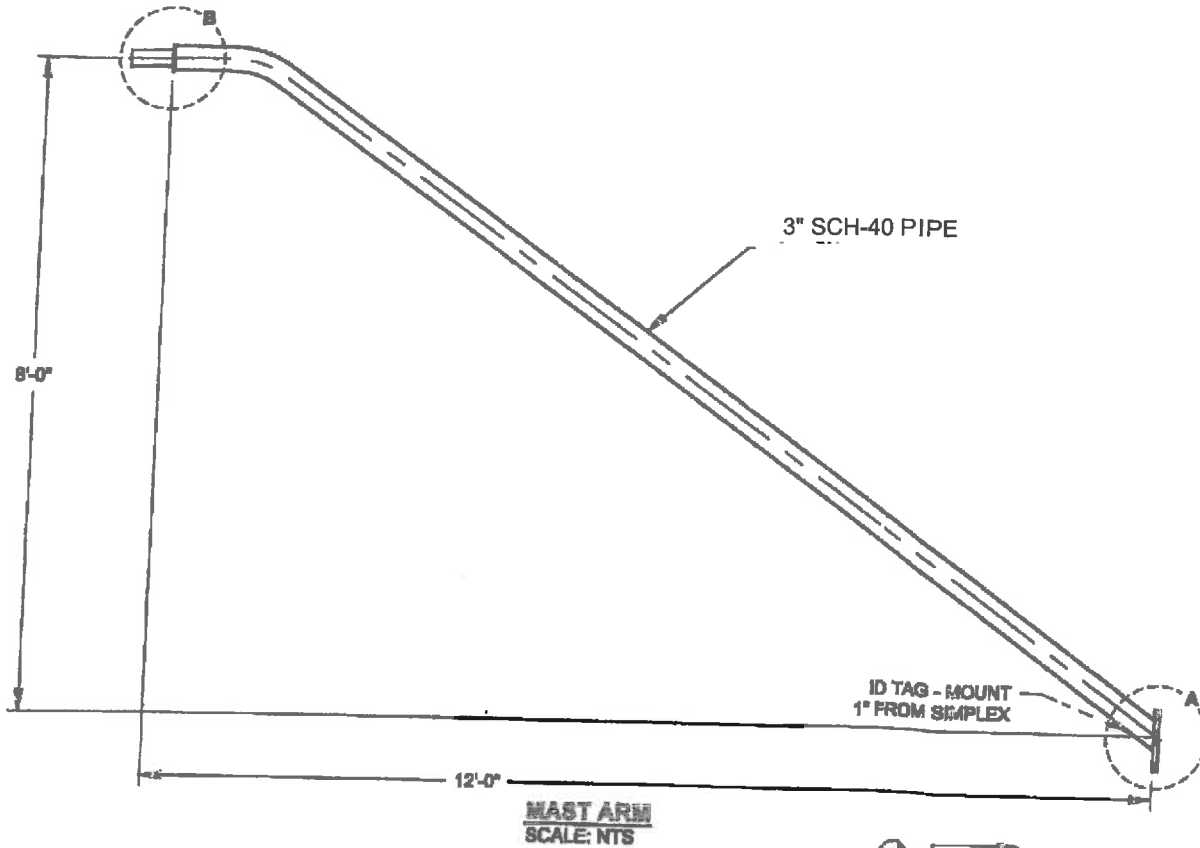
REV:-	DESC:-	DRAWN:-	APPR:-	DATE:-
-------	--------	---------	--------	--------

**A4 (BRONZE)**  
**WESTGATE STREETS**  
**USE w/ P3 POLE (BRONZE)**  
 GLENDALE

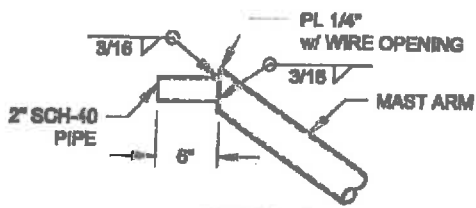
REVISED A6  
 ARTERIAL STREETS  
 USE W/ P1, P9 OR P10 POLE

**NOTE(S):**

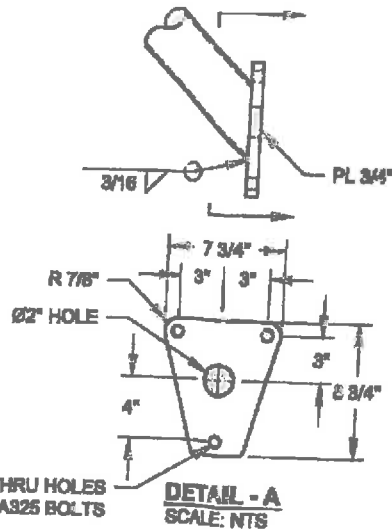
1. ALL WIRE ENTRANCE AND EXIT HOLES SHALL BE FREE OF ALL BURRS AND SHARP EDGES.
2. SOME HIDDEN LINES NOT SHOWN FOR CLARITY.
3. DRAWING NOT TO SCALE.
4. TAG SHALL BE PERMANENTLY ATTACHED AND INCLUDE: DATE MANUFACTURED, MANUFACTURER AND DRAWING NUMBER.
5. THE ARM SHAFT IS FABRICATED FROM A WELDABLE GRADE HOT-ROLLED CARBON STEEL PIPE AND HAS A MINIMUM YIELD STRENGTH OF 42,000 PSI.
6. SHALL BE SAND BLASTED TO NEAR WHITE FINISH AND HOT DIPPED GALVANIZED PER ASTM A123.



**MAST ARM**  
 SCALE: NTS



**DETAIL - B**  
 SCALE: NTS



(3) 3/16" THRU HOLES  
 FOR A325 BOLTS

**DETAIL - A**  
 SCALE: NTS

REV: -

DESC: -

DRAWN: -

APPR: -

DATE: -

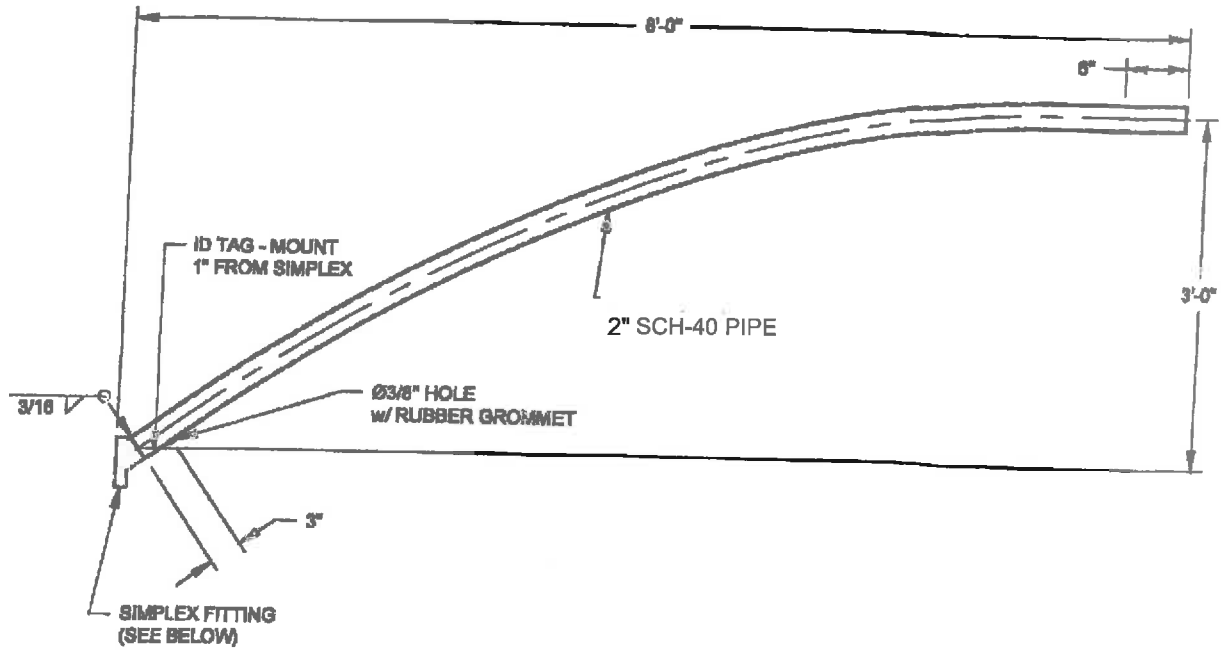
**A6**  
**ARTERIAL STREETS**  
**USE W/ P1, P9 OR P10 POLE**  
 GLENDALE



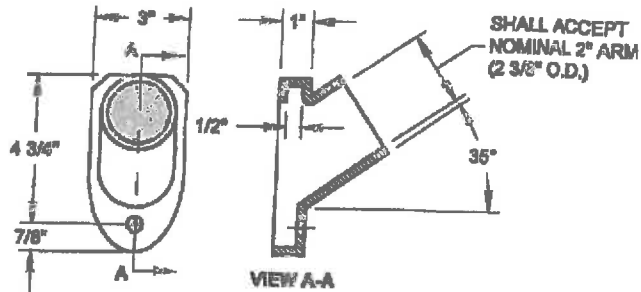
REVISED GRAND AVE  
 BREAK-AWAY BASE  
 MAST ARM

**NOTE(S):**

1. ALL WIRE ENTRANCE AND EXIT HOLES SHALL BE FREE OF ALL BURRS AND SHARP EDGES.
2. SOME HIDDEN LINES NOT SHOWN FOR CLARITY.
3. DRAWING NOT TO SCALE.
4. SHALL BE SAND BLASTED TO NEAR WHITE FINISH AND HOT DIPPED GALVANIZED PER ASTM A123.
5. TAG SHALL BE PERMANENTLY ATTACHED AND INCLUDE: DATE MANUFACTURED, MANUFACTURER AND DRAWING NUMBER.
6. THE ARM SHAFT IS FABRICATED FROM A WELDABLE GRADE HOT-ROLLED CARBON STEEL PIPE AND HAS A MINIMUM YIELD STRENGTH OF 42,000 PSI.



**MAST ARM**  
 SCALE: NTS



**FEMALE SIMPLEX**  
 SCALE: NTS

REV: -

DESC: -

DRAWN: -

APPR: -

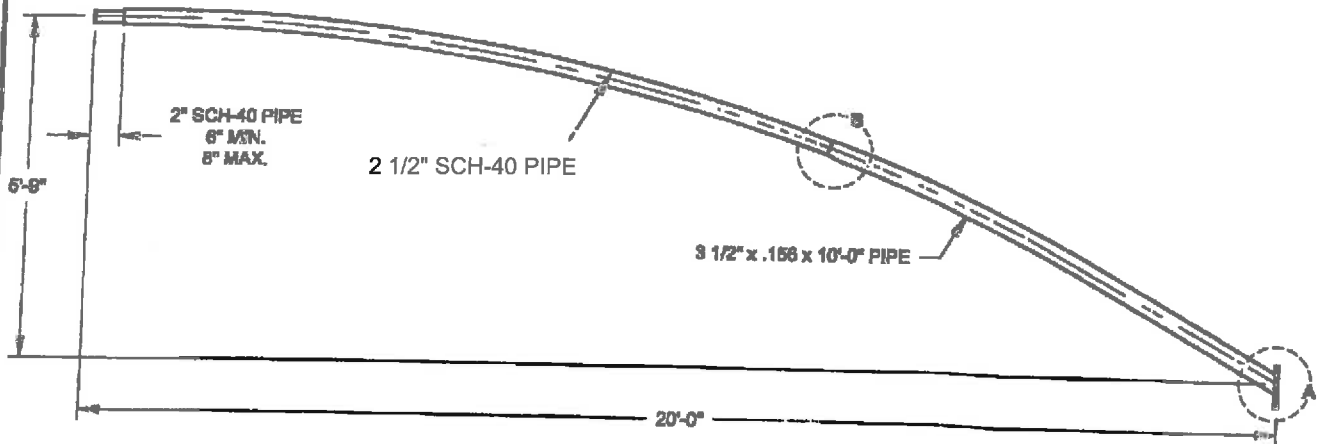
DATE: -

GRAND AVE  
 BREAK-AWAY BASE  
 MAST ARM  
 GLENDALE

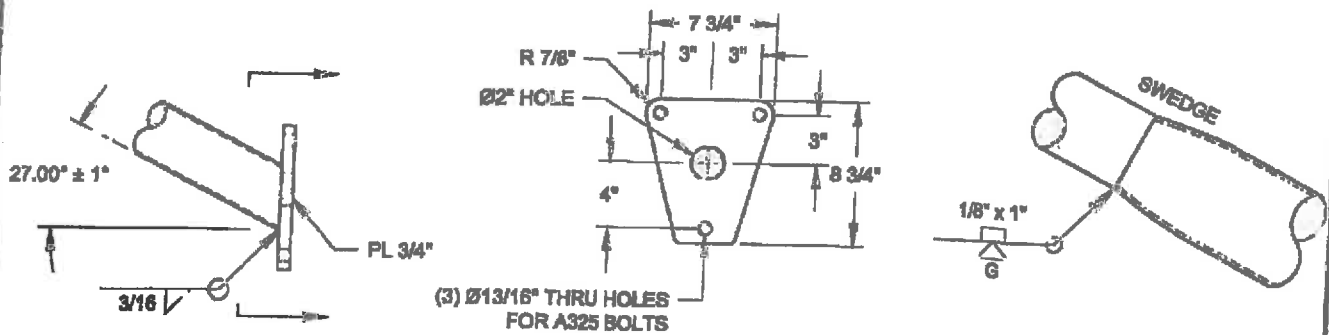
REVISED MODIFIED G-USE NEAR GRAND AVE  
 BRIDGE & OVERPASSES  
 USE w/ MODIFIED G POLE

**NOTE(S):**

1. ALL WIRE ENTRANCE AND EXIT HOLES SHALL BE FREE OF ALL BURRS AND SHARP EDGES.
2. SOME HIDDEN LINES NOT SHOWN FOR CLARITY.
3. DRAWING NOT TO SCALE.
4. TAG SHALL BE PERMANENTLY ATTACHED AND INCLUDE: DATE MANUFACTURED, MANUFACTURER AND DRAWING NUMBER.
5. THE ARM SHAFT IS FABRICATED FROM A WELDABLE GRADE HOT-ROLLED CARBON STEEL PIPE AND HAS A MINIMUM YIELD STRENGTH OF 42,000 PSI.
6. SHALL BE SAND BLASTED TO NEAR WHITE FINISH AND HOT DIPPED GALVANIZED PER ASTM A123.



**MAST ARM**  
 SCALE: NTS



**DETAIL - A**  
 SCALE: NTS  
 (ASTM A36)

**DETAIL - B**  
 SCALE: NTS

REV: -

DESC: -

DRAWN: -

APPR: -

DATE: -

**MODIFIED G - USE NEAR GRAND AVE**  
**BRIDGE & OVERPASSES**  
**USE w/ MODIFIED G POLE**  
 GLENDALE